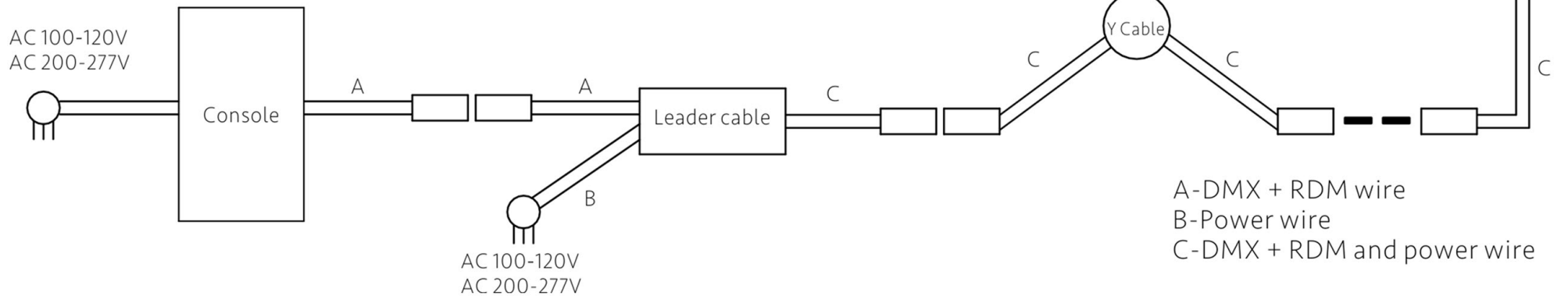


AC 100-120V:MAX 80PCS  
AC 200-277V:MAX 128PCS



A-DMX + RDM wire  
B-Power wire  
C-DMX + RDM and power wire